



FEATURES

- ▶ DATA TRANSMISSION BETWEEN 2 OPTICAL INTERFACES
- ▶ SUPPORTS **TEXECOM** PROTOCOL DATA EXCHANGE
- ▶ USES ONLY 1 OPTICAL FIBER (WDM BI-DI TRANSCEIVER, SC CONNECTOR)
- ▶ SUPPORTS DATA TRANSMISSION UP TO 20 KM (USING SM OPTICAL FIBER)
- ▶ LED STATUS AND OPERATION INDICATION
- ▶ 12V DC POWER SUPPLY THROUGH TERMINAL BLOCKS
- ▶ (MINI)DIN ENCLOSURE

Features

PRODUCT DESCRIPTION

Description

SFT-T module from the SFT family of optical transceivers is intended for transmission of alarm informations using optical fiber as a transfer medium. Transmitter and receiver from SFT-T series support Texecom communication protocol used by alarm central stations and devices from the mentioned manufacturer.

Device has an inbuilt WDM BI-DI optical transceivers that enable connection of MM multi-mode (MM) as well as single-mode (SM) optical fibers. For transmission SFT-T uses only 1 optical fiber with SC ending connector and supports transmission lengths up to 3 km (MM optical fiber), or 20 km (SM optical fiber).

Power supply and serial communications are connected through serial blocks. Device is manufactured for DIN mount and is encased in non-flammable industrial plastic housing. Its small size makes it a perfect solution if mounting right into the central alarm station is needed.

On the front side of the device's housing, there are transparently placed LED indications, that offer you quick and simple insight in the basic functions of the system and the device, this LED indications also reports possible interruptions in optical link, failure of transmission equipment (both are done directly through copper connection with alarm central), presence of power supply and presence and activity of communication (exchange of protocol data).

Power supply part of the module is adjusted for direct connection to the alarm equipment (power supply DC12V). The transmission equipment is distinguished by its low power consumption. This part of the module also includes protection against connecting the wrong voltage to it.

COMPILANT WITH AL. CENTRALS

Fiber optic communications tested for Texecom products:

Veritas 8	G1
Veritas 8 Compact	G1
Veritas R8	G1
Veritas R8Plus	G2
Veritas Excel	G2
Premier 24	G3
Premier 48	G3
Premier 88	G3
Premier 168	G3
Premier 640	G3

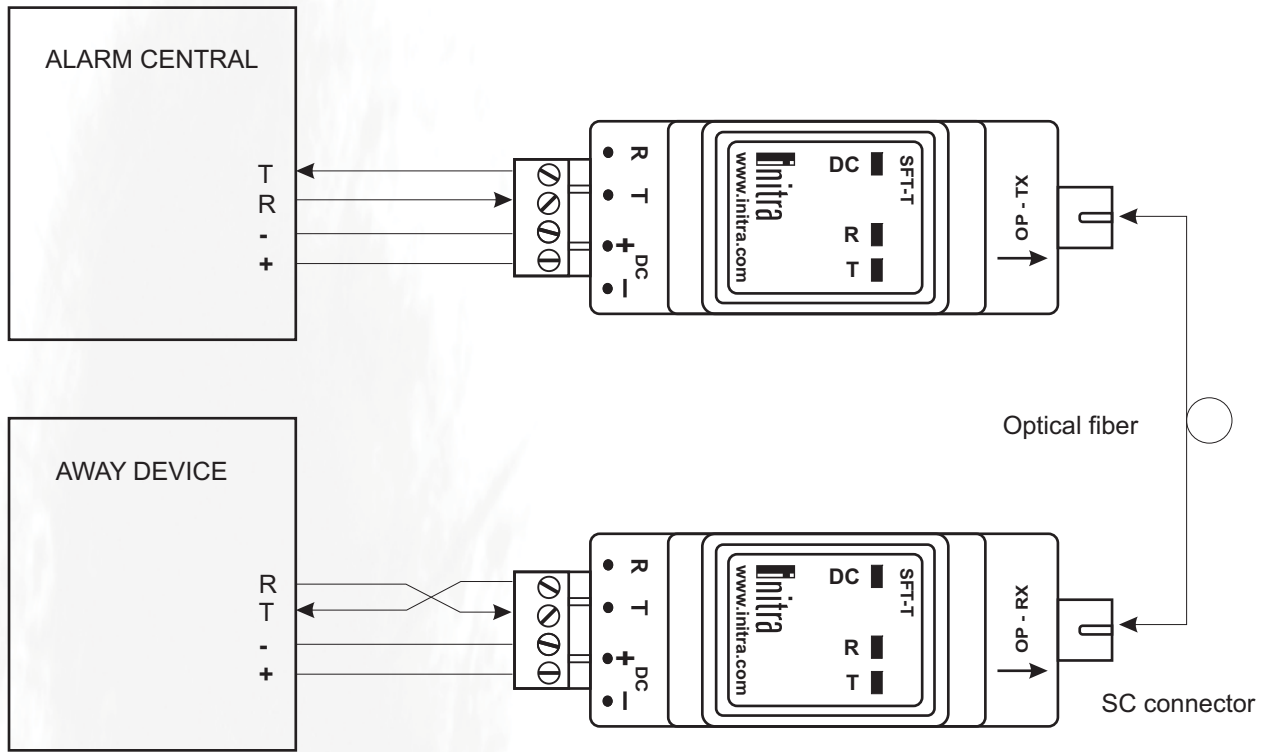
Compliant

ORDERING CODE

SFT - T T	
Alarm Company	Type
T Texecom	T Transmitter
	R Receiver

Ordering code

CONNECTION



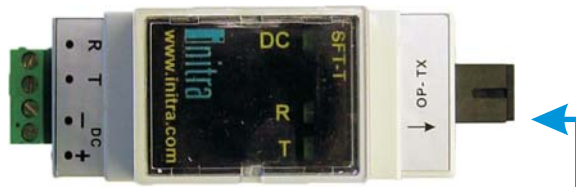
USAGE

Premier 4XP G3
Premier LCDL/LCDLP G3



FIBER OPTIC REMOTE

DC12V



Single Fiber MM/SM

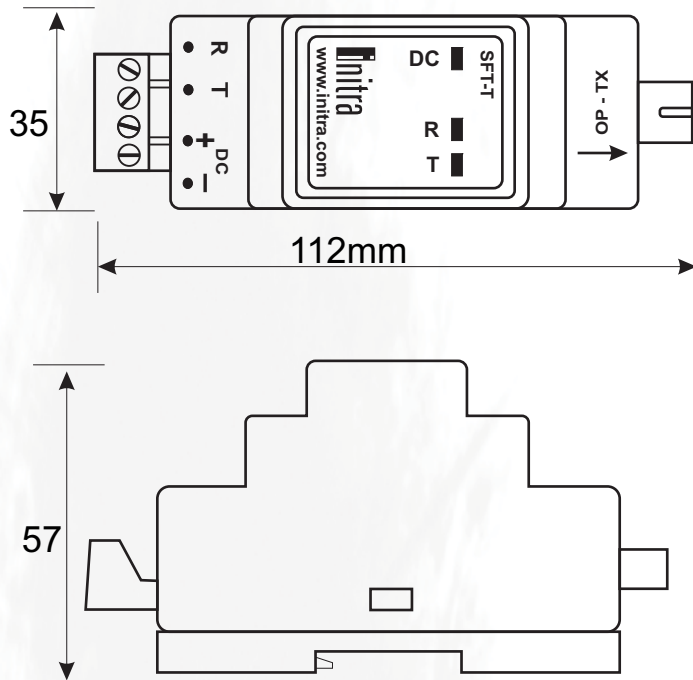


Premier 640 G3

DC12V



DIMENSIONS



TECHNICAL DATA

OPTICS - TRANSMITTER - BIDI

PARAMETER	TYPE / CONDITIONS	MIN	TYPICAL	MAX	UNITS
Optical Connector	SC				
Mode	Multi Mode (MM), Single Mode (SM)				
Output Center Wavelength			1310		[nm]
Optical Power	Measured at 20km link	-8		-3	[dBm]
Link Distance	SM/MM			20 / 3	[km]

OPTICS - RECEIVER - BIDI

PARAMETER	TYPE / CONDITIONS	MIN	TYPICAL	MAX	UNITS
Optical Connector	SC				
Mode	Multi Mode (MM), Single Mode (SM)				
Output Center Wavelength			1550		[nm]
Receiver Sensitivity	Measured at 20km link		-22		[dBm]
Link Distance	SM/MM			20 / 3	[km]



TECHNICAL DATA

GENERAL						
PARAMETER	TYPE / CONDITIONS	MIN	TYPICAL	MAX	UNITS	
ELECTRICAL						
Power Source	12 VDC	11	12	15	[V]	
Power Consumption			0,5		[W]	
ENVIRONMENTAL						
Temperature range	storage	-40		+70	[° C]	
	operating	-25		+85	[° C]	
Humidity	non - condensing	0		95	[%]	
MECHANICAL - DIN						
Dimensions	Width x Depth x Height		35x112x57		[mm]	
Case type	DIN plastic enclosure					
Case material	plastic					
Mounting	DIN rail					
Weight	unit		142		[g]	
GENERAL						
Compliances	CE					
MTBF	ground fix 45°C per MIL217F		240000		[h]	
Warranty	2 years parts and labor					

